

# 3-WAY TOGGLE VALVES



## 3-Way Toggle Valves

3-way valves have a supply, outlet and exhaust port. When the toggle is in the "on" position air flows from the inlet to the outlet and the exhaust port is blocked. Moving the toggle to the "off" position closes the inlet and opens the outlet to an exhaust port which vents the outlet to atmosphere. 3-way toggle valves may have a poppet or spool and by movement

of the toggle may either be 2-position or have a momentary actuation.

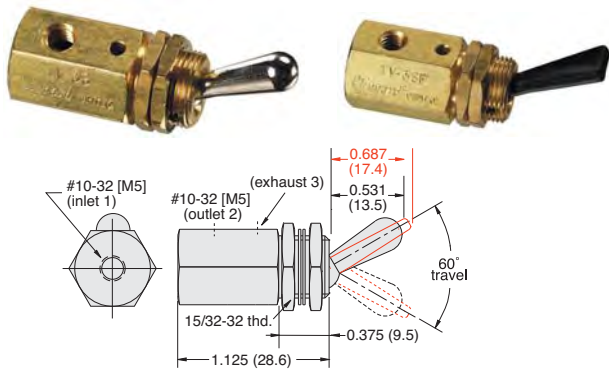
**Medium:** Air

**Materials:** Brass body, Buna-N seals, stainless steel stem and spring

**Stem Travel:** 1/8" (3.2)

**Mounting:** 15/32-32 thd. Nuts and lockwashers furnished

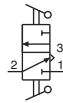
### 2 Position Spool Valves



**Input Pressure:** 150 psig/10 bar max.

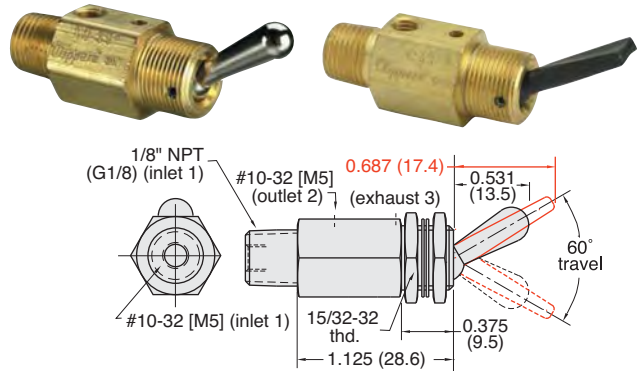
**Air Flow:** 4.5 scfm @ 50 psig; 8.0 scfm @ 100 psig;  
190 l/min @ 6 bar

**Force For Full Stem Travel:** 12 oz. nominal



Part No.	Description
<a href="#">TV-3S</a>	2 Position Spool Valve, NP Steel Toggle, #10-32
<a href="#">TV-3S-M5</a>	2 Position Spool Valve, NP Steel Toggle, M5
<a href="#">TV-3SE</a>	2 Position Spool Valve, Plastic Toggle, #10-32
<a href="#">TV-3SE-M5</a>	2 Position Spool Valve, Plastic Toggle, M5

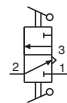
### 2 Pos. Spool Valve with 1/8" NPT Inlet



**Input Pressure:** 150 psig/10 bar max.

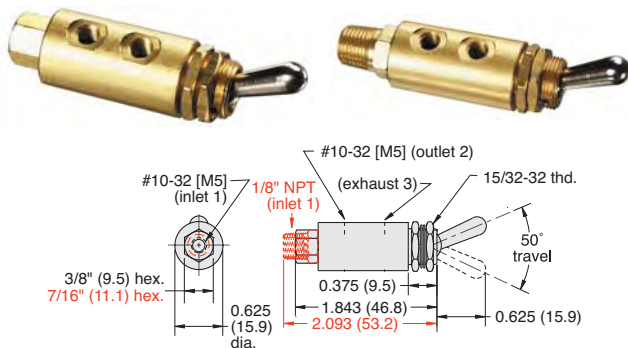
**Air Flow:** 4.5 scfm @ 50 psig; 8.0 scfm @ 100 psig;  
190 l/min @ 6 bar

**Force For Full Stem Travel:** 12 oz. nominal



Part No.	Description
<a href="#">TV-3SP</a>	2 Position Spool Valve, NP Steel Toggle
<a href="#">TV-3SEFP</a>	2 Position Spool Valve, Plastic Toggle

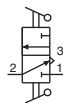
### 2 Position Poppet Valves



**Input Pressure:** 150 psig/10 bar max.

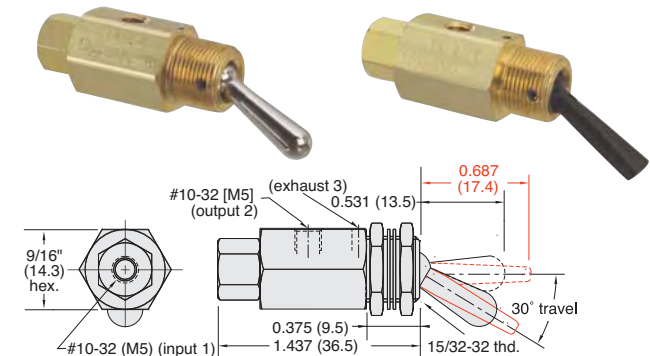
**Air Flow:** 4.0 scfm @ 50 psig; 6.8 scfm @ 100 psig;  
175 l/min @ 6 bar

**Force For Full Stem Travel:** 16 oz. nominal



Part No.	Description
<a href="#">MTV-3</a>	2 Position Poppet Valve, #10-32, NP Brass Toggle
<a href="#">MTV-3-M5</a>	2 Position Poppet Valve, M5, NP Brass Toggle
<a href="#">MTV-3P</a>	2 Position Poppet Valve, 1/8" NPT, NP Brass Toggle

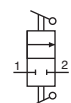
### 2 Pos. N.C. Poppet with Momentary Actuation



**Input Pressure:** 150 psig/10 bar max.

**Air Flow:** 4.0 scfm @ 50 psig; 6.8 scfm @ 100 psig;  
175 l/min @ 6 bar

**Force For Full Stem Travel:** 12 oz. nominal



Part No.	Description
<a href="#">TV-3M</a>	2 Position Poppet Valve, NP Steel Toggle, #10-32
<a href="#">TV-3M-M5</a>	2 Position Poppet Valve, NP Steel Toggle, M5
<a href="#">TV-3MF</a>	2 Position Poppet Valve, Plastic Toggle, #10-32
<a href="#">TV-3MF-M5</a>	2 Position Poppet Valve, Plastic Toggle, M5